

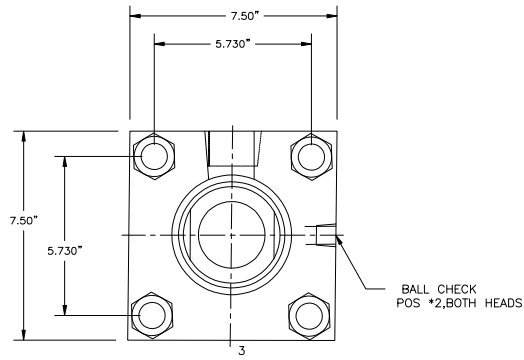
DESCRIPTION

SIN

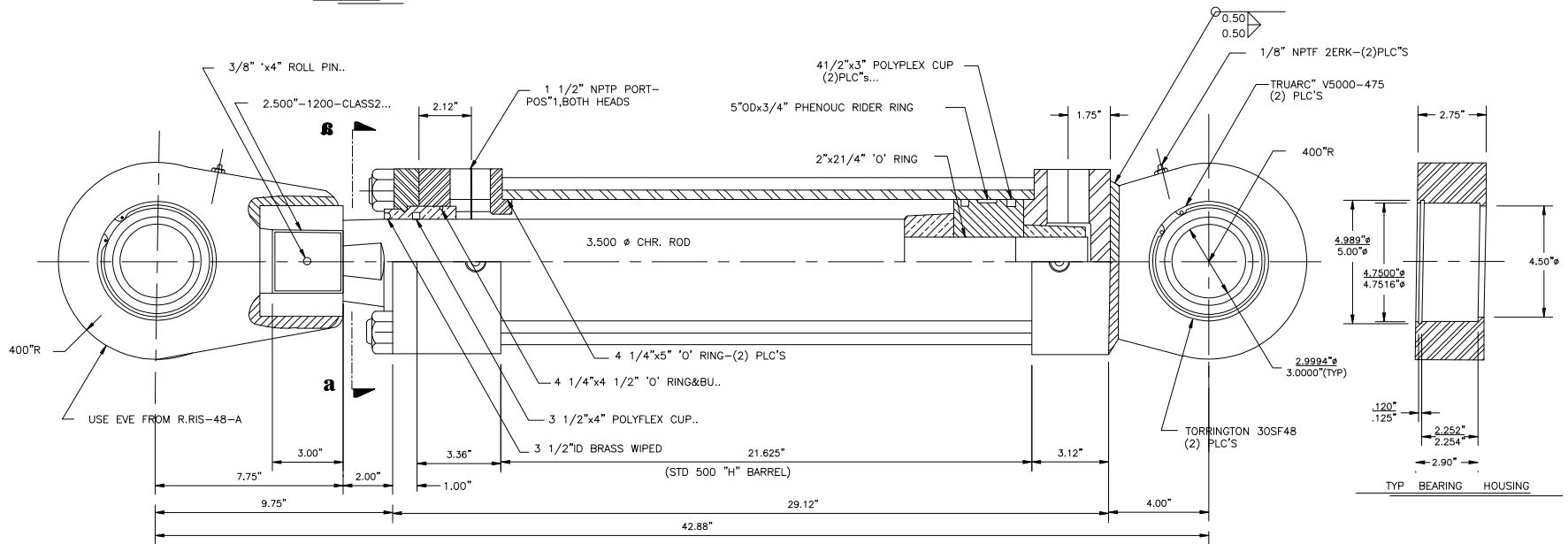
DATE

REVISION

AUTHORITY DE



**a-a**



THIS DRAWING & ALL THE INFORMATION THEREON IS THE PROPERTY OF METCALITH (P) LTD. IT IS LOANED CONFIDENTIALLY AND MUST NOT BE USED BY ANY WAY DETRIMENTAL TO OUR INTERESTS.

TOLERANCE UNLESS OTHERWISE NOTED  
 .XX = ± 0.010"  
 .XXX = ± 0.015"  
 .XXXX = ± 0.025"  
 FINISH AS NOTED

SERIES "H"	MODEL "SA"	MEDIUM = HYD. FLUID
BORE 3.00"	STROKE 18.00"	ROD DIAMETER 3.500"
WORKING PRESSURE	TEST PRESSURE	TEST MEDIUM
	5000	PSI
		HYD. FLUID

CUSTOMER INTERNATIONAL CLIENT  
 DRAWING NAME assembly  
 MATERIAL VARIOUS

SCALE HALF	DATE 5 7 80	DRAWN	APPRO.
DRAWING NO. 1-80264	REV 0	SHEET 1	